

BOSS® 137 Firestop Spray Coating

TYPICAL PROPERTIES

Color	Red
Weight	10.4 ± 0.4 lbs/gal (1.2 ± 0.05 kg/L)
Viscosity	50,000 cps (average) 24 ± 0.1°C @10 rpm
Storage Temperature	40°F to 90°F (4°C to 32°C)
Application Temperature	40°F to 90°F (4°C to 32°C)
Flame Spread (UL 723/ASTM E84)	0
Smoke Developed (UL 723/ASTM E84)	0

*Information on this data sheet is subject to change without notice and should not be used for writing specifications.
For additional information on specific applications, contact Accumetric, LLC

DESCRIPTION

BOSS® 137 Firestop Spray Coating is a water-based, elastomeric coating that is designed for spray applications onto joints between fire-resistive assemblies and perimeter barrier (curtain wall) assemblies. **BOSS® 137** cures to a strong, flexible seal. The coating has been tested to dynamic movement conditions in accordance with ASTM E1399 relating to seismic, wind sway and thermal expansion/contraction environments. It has been specifically formulated for ease of application and provides an efficient solution for firestopping joint systems.

FEATURES

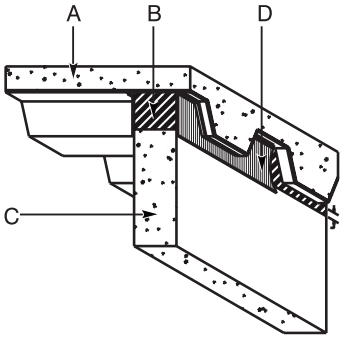
- Head of wall applications
- Metallic and HVAC penetrations
- Listed in systems with up to 4 hour fire rating
- Excellent adhesion and thickness build
- Elastomeric
- Easy application and water clean-up
- Sprayable or brushable
- Paintable

HOW TO USE

- Apply to clean, dry substrates when the air and substrate temperature is between 40°F and 90°F (4°C and 32°C).
- Do not apply when the air or substrate temperature is below 32°F (0°C).
- Apply using airless spray equipment designed for application of heavy bodied latex paint
- The larger horsepower machines have larger diameter intakes and allow higher application rates and better performance in colder temperatures.
- Spray guns can be fitted with a range of wide angle and narrow pattern tips to match the specific job, thereby minimizing overspray and waste.
- For best results any filters should be removed from the spray gun and handle before use as these filters can restrict flow and spray pattern.
- Apply **BOSS® 137** uniformly over mineral wool compressed into gaps, voids or joint openings to obtain a minimum 0.125 in. (3.18 mm) wet film thickness.
- Overlap coating a minimum of 0.5 in. (13 mm) wet film thickness beyond all edges of the opening onto surrounding construction surfaces.
- Small or touch-up areas may be sprayed or brushed.
- See specific system design for installation details.
- Clean all equipment with soap and water immediately after use. For short stoppage intervals, the spray gun may be immersed in water to prevent clogging of the spray tip.
- Reseal unused coating tightly in its original container.

SPECIFICATIONS

BOSS® 137 is classified by UL Laboratories. ASTM E1399 tested, “cyclic movement and measuring the minimum and maximum joint width of architectural joint systems”. ASTM E1966 (UL 2079) tested, “test method for fire resistive joint systems”. Perimeter barrier tested per ASTM E5.11.14 (draft) using the intermediate scale multi-story test apparatus. Sound transmission tested in accordance with ASTM E90.



HEAD OF WALL-2 & 3 Hr. (UL HW-D-0415)

A=Max. 3 in. (76 mm) deep-fluted steel deck with a min. 2.5 in. (64 mm) of concrete topping (Monokote optional).

B=Mineral wool (4 pcf) compressed a min. 50% in the fluted area and in the joint area.

C=Min. 6 in. (152 mm) concrete or CMU block wall capable of a 3 hour rating.

D=**BOSS® 137** min. 0.125 in. (3.2 mm) (wet) overlapping a min. 0.5 in. (13 mm) onto wall and decking.

Tested to UL 2079 with a cyclic movement of 500 cycles @ 10 cycles/minute.

Max. 50% total movement (compression and extension)

Refer to UL designs for full system description

CAUTION

Keep from freezing. Do not take internally.
KEEP OUT OF THE REACH OF CHILDREN.

PACKAGING

BOSS® 137 Firestop Spray Coating is available in 5 gallon containers.

SHIPPING LIMITATIONS

None

STORAGE AND SHELF LIFE

When stored in original unopened container at or below 90°F (32°C), **BOSS® 137** Firestop Spray Coating has a shelf life of 12 months from date of shipment. Containers should always be kept sealed when not in use.

USERS PLEASE READ

The information and data contained herein is believed to be accurate and reliable; however, it is the user's responsibility to determine suitability of use. Since the supplier cannot know all the uses, or the conditions of use to which these products may be exposed, no warranties concerning the fitness or suitability for a particular use or purpose are made.

It is the user's responsibility to thoroughly test any proposed use of our products and independently conclude satisfactory performance in the application.

Likewise, if the application, product specifications or manner in which our products are used requires government approval or clearance, it is the sole responsibility of the user to obtain sure authorization.

The supplier warrants only that its products will meet its specifications. There is no warranty of merchantability or fitness for use, nor any other express or implied warranty. The users exclusive remedy and the suppliers sole liability is limited to refund of the purchase price or replacement of any product shown to be otherwise than as warranted. The supplier will not be liable for incidental or consequential damages of any kind.

Suggestions of uses should not be taken as inducements to infringe any patents.

MADE IN U.S.A.

BOSS® PRODUCTS

Accumetric, LLC
350 Ring Road
Elizabethtown,
Kentucky 42701 USA
800-928-BOSS(2677)
TEL (270)769-3385
FAX (270)765-2412
Outside U.S.
TEL +1(270)769-3385
FAX +1(270)765-2412

Accumetric Asia Pacific, LTD
18 Kitpanit Bldg. 5th Floor
#502 Patpong Road
Suriyawong, Bangrak
Bangkok, 10500 Thailand
TEL (662)634-3060
FAX (662)634-3066

www.bossproducts.com